

HONDA 35CC LITE



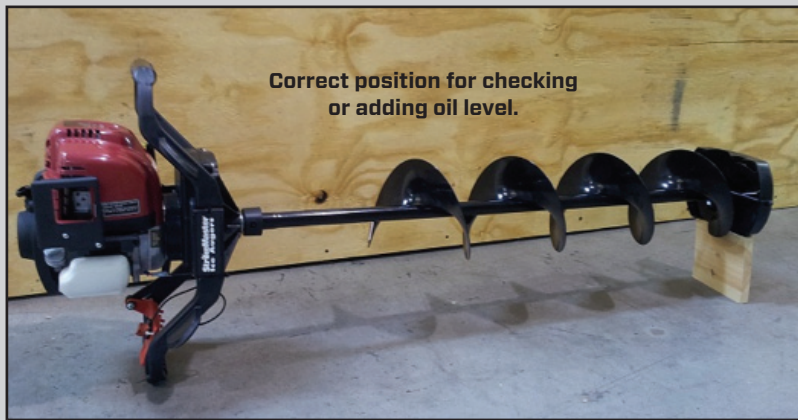
IMPORTANT NOTICE

2012-13 HONDA 35cc LITE OWNERS

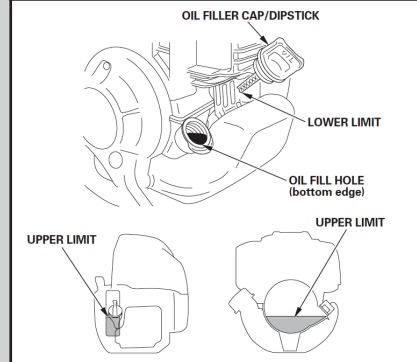
Lately there has been some confusion regarding proper oil level in the new (HL-8) Honda GX35 Lite models. We wanted to clarify any concerns regarding proper oil level, fill or level check procedures.

The HL-8 unit includes a StrikeMaster manual and a Honda general application engine manual. The Honda (GX35 engine) is a non-application specific manual. The StrikeMaster manual should be followed to a "T", any further technical guidelines that are not covered in StrikeMaster manual, refer to the Honda manual. **Unit shipment also includes correct amount of oil for initial fill (1.7 oz.).** Honda GX35 engine crankcase capacity has a maximum oil capacity of 3.4 oz. **DO NOT OVERFILL.**

Whether filling for first time, checking or adding oil level, engine position is critical.



Running the engine with a low oil level can cause engine damage. This type of damage is not covered by the Distributor's Limited Warranty.



With engine properly orientated, as pictured above on level surface with fuel tank down and Dipstick to side, one must hold or "block" up auger end to achieve a level position when checking oil level. Check oil level by inserting dipstick and not screwing in dipstick. If you find the oil level is not showing on dipstick, add oil to proper full level as pictured above or on page 9 of Honda engine owner's manual.

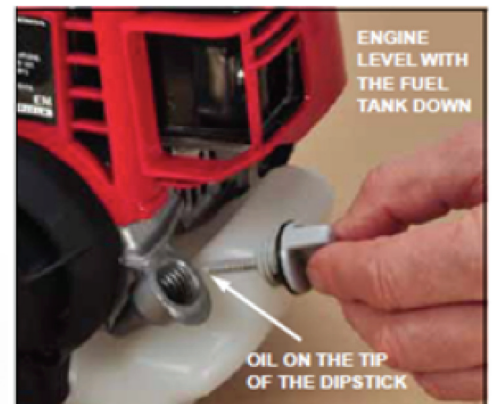
ADD OIL

Before testing, add just enough oil to show on the dipstick when it is inserted but not screwed in. The oil capacity of the GX35 engine is 100cc (3.4 oz.) **DO NOT OVERFILL WITH OIL.** When adding oil, be sure the engine is level with the fuel tank down. Only add enough oil to show on the tip of the dipstick.

NOTICE

If the engine is overfilled, oil will enter the crankcase and cause the engine to leak. Oil in the crankcase is difficult to remove; it can't be poured out - it has to be pumped out as the engine runs. If you need to remove oil from the crankcase:

1. Drain oil from the oil chamber until oil just shows on the tip of the dipstick.
2. Run the engine for several minutes, and then check the oil level.
3. If the oil level has increased, drain the excess oil (so the oil level is again just to the tip of the dipstick).
4. Repeat this procedure until the oil level no longer increases after you run the engine.



Visit our website for up to date service center listings.

www.strikemaster.com